

SECTION 080000

EXTERIOR DOOR REPLACEMENT

PART 1 – GENERAL

1.1 Scope of Work:

- A. Removal of existing doors and associated exterior and interior trim where required.
- B. Removal of existing exterior EIFS and interior drywall as required.
- C. Replacement of existing doors including installation of all flashing, waterproofing, EIFS, accessories and caulk/sealants as required to produce a complete watertight installation.
- D. Removal and replacement of deteriorated wall framing, exterior sheathing and wall insulation when encountered at door rough openings.

1.2 Permits, Fees and Insurance:

- A. The Owner and/or their contractor shall coordinate all approvals through the Association Board and the A.I.P. Architectural Review Board.
- B. Contractor shall secure all necessary permits prior to commencement of the work.
- C. Contractor shall procure and maintain in force until the completion of work the following insurances in the amounts required by the Owner and the Association Board: general liability insurance, employer's liability insurance, automobile insurance and worker compensation. Contractor shall insure that current insurance certificates are on file at Amelia Island Management.

1.3 Quality Assurance:

- A. Comply with governing codes and regulations. Provide products of acceptable manufacturers, approved by the local building code agency and have been in satisfactory use in similar service for three years. Use experienced installers.
- B. It is the responsibility of the Contractor to ensure that the replacement door units design wind pressures, at the time of procurement and installation, comply with the current Florida Building Code. CONTRACTOR SHALL CONTACT ENGINEER TO VERIFY COMPLIANCE.
- C. Manufacturer's Qualifications: Company specializing in the manufacture of products for a minimum of 5 years. Company shall be a member of the American Architectural Manufacturers Association (AAMA).
- D. Installer Qualifications: Company specializing in the performance of the work for a minimum of 5 years.

DOOR REPLACEMENT

080000 - 1

4-24-12

- E. All work shall be performed in accordance with the manufacturer's recommended installation instructions and details.
 - F. Contractor may substitute other equivalent products as approved by the Owner, Association Board and A.I.P. Architectural Review Board if required.
 - G. All temporary utility services, including toilet facilities, are to be obtained and paid for by the contractors performing the work described herein.
- 1.4 Warranty
- A. Manufacture: Provide manufacturer's standard warranty.
 - B. Installer: Provide all labor and materials required to repair work that fails to perform for (5) five years following the date of substantial completion.
- 1.5 Work Performance Field Verification:
- A. Watertight performance of all work is required.
 - B. All newly installed window and sliding glass door installations must pass a visual inspection, operation test, an AAMA 501.2 hose test, where deemed appropriate, and an AAMA 502 sill dam test following completed installation and prior to the installation of interior trim components.
 - C. Door installations that fail the AAMA 501.2 hose test and AAMA 502 sill dam test will not be approved for payment until passing results are achieved. If passing results cannot be achieved, the unit shall be replaced with one that does pass at no additional cost to the owner.

PART 2 - SUBMITTALS

- 2.1 General:
- A. Contractor shall submit proof of employer's liability insurance, general liability insurance, automobile insurance and workman's compensation.
 - B. Contractor shall submit names and addresses for all suppliers and all subcontractors providing materials and/or labor on project.
 - C. For substitutions, Contractor shall submit proof data to demonstrate that substitutions are equal in performance and durability to materials specified.
 - D. Contractor shall submit 4 copies of all requested submittal materials to the Association Board for approval prior to commencement of the work. Contractor shall indicate Owner's approval on submittal cover sheet.
- 2.2 Door Units:
- A. Product Data: Contractor shall submit manufacturer's product literature for all products and accessories furnished.

DOOR REPLACEMENT

080000 - 2

4-24-12

- B. Florida Building Code approval and/or Miami-Dade Notice of Acceptance "NOA" indicating the specific model/series product's compliance with code requirements.
 - C. Design Pressure Calculation for each window or door opening to be modified.
 - D. Installation Instructions: Contractor shall submit manufacturer's installation instruction sheets for all products and accessories furnished.
 - E. Contract Closeout Submittals: Contractor shall submit to the owner bound manual clearly identified with project name, location and completion date. Identify type and size of new window and sliding glass door units installed. Provide recommendations for periodic inspections, care and maintenance.
- 2.3 Contractor shall provide manufacturer's product literature, installation instructions and color samples (exposed materials only) for the following:
- A. Waterproofing membrane (liquid applied)
 - B. Self-adhered membrane
 - C. Joint sealant & backing materials
 - D. Elastomeric coating materials

PART 3 - MATERIALS

3.1 Door Units:

- A. Hardware: Stainless steel or approved equivalent corrosion resistant material for the salt air environment.
- B. Color: to match existing.
- C. Sliding Glass Doors: WinDoor 7000 HP series, WinDoor 8100 Series or approved equal.
- D. Terrace Doors: WinDoor 9050 or approved equal.
- E. System Performance Requirements:
 - 1. General: Provide door units that comply with performance requirements specified, as demonstrated by testing the manufacturer's corresponding stock systems. Test each type and size of required unit through a recognized independent testing laboratory or agency using the tests & test procedures specified below, and in accordance with procedures specified in AAMA 101, including requirements of AAMA 101, Section 3, "Optional Performance Classes." All assemblies shall be in accordance with the current Building Code.

DOOR REPLACEMENT

080000 - 3

4-24-12

2. Design Wind Pressure Requirements: -90/+70 psf in the edge zones and -70/+70 psf in the field. A fenestration is considered to be in an edge zone if any portion of the fenestration is within 5-feet of a primary building corner.
3. Uniform Load Structural and Deflection Tests: Test in accordance with ASTM E 330 at 150 percent of the design pressure. After each specified loading, there shall be no glass breakage, permanent damage to fasteners, hardware parts, support arms or actuating mechanisms or any other damage, which causes the window to be inoperable. No member shall deflect more than 1/175 of its span under load, and there shall be no permanent deformation of any main frame, sash, pane, or ventilator member in excess of 0.2 percent of its span.
4. Water Penetration (Laboratory): Test in accordance with ASTM E 331, and ASTM E 547 both at 15% of the structural design pressure rating. There shall be no water penetration as defined in the test method.
5. Impact Resistance: Provide window units and glazing that have been tested to pass the large and small missile impact test per ASTM E 1886.
6. Water Penetration (Field) Test in accordance with ASTM E 1105 at 15% of the structural design pressure rating. There shall be no water penetration as defined in the test method. The AMMA permitted 2/3 reduction in passing criteria for testing of field installations shall NOT be allowed.
7. Air infiltration: Test in accordance with ASTM E 283 at 1.6 lbf/ft². Air infiltration rate shall not exceed 0.03 cfm/ft².
8. Forced-Entry Resistance: Provide units that comply with requirements for Performance Level 10 when tested in accordance with AAMA 1302.5-76 Test A through G.
9. Condensation Resistance Factor (CRF): Provide units with CRF of 17 per AAMA 1503.
10. Energy Performance: Provide units with a maximum thermal transmittance (u-value) of 0.75 (or as required to achieve an Energy Star rating) when tested in accordance with AAMA 1503.1, latest edition.
11. Light emission: Provide units that comply with Florida Statute 62B-55 or other local ordinance requirements for light emission for the protection of sea turtle nesting.
12. Solar Heat Gain Coefficient (SHGC): Provide units with SHGC <0.35.

DOOR REPLACEMENT

080000 - 4

4-24-12

3.2 Sill and Head Flashing:

A. Sill Flashing:

1. Type:

- a. AISI type 316 stainless steel complying with ASTM A-167, with 2D annealed finish. Minimum thickness to be 0.0156" (28 gauge) U.O.N. (see drawings for profile). All corner joints shall be welded.
- b. PVC manufactured by Jamsill Guard or approved equivalent, size to fit new appurtenance and opening.

2. Dimensions:

- a. Vertical: Back and end legs compliant with height requirements of Table A3.1 of ASTM E 2112.
 - b. Horizontal: width of pan shall fit the full width of the rough opening so that the base of the vertical perimeter sealant joints are captured within the pan.
 - c. Lateral: Sill pan tray and end dams shall project beyond the exterior plane of the window frame or door frame. The leading horizontal edge of the tray shall contain a down turned leg of a minimum of 3/8-inch.
 - d. End Dam Terminations: Shall project beyond the jamb's perimeter sealant joint. Where exposed to the exterior, the pan legs shall be hemmed and curve cut.
3. Slope: the pan shall be sloped a minimum of 1/8":6" toward the exterior by means necessary.
4. Joints: Fully fused by soldering, welding, or PVC liquid cement. Caulk shall not be used to seal PVC pan overlaps PVC liquid cement must be used.
5. Sealing:
- a. Installation: Pan shall be set in (3) parallel generously applied continuous beads of sealant along its length and at the corners of the rough opening.
 - b. Interior: The top legs (back and ends) of the sill pan shall be continuously sealed to the sliding glass doorframe to prevent passage of air from outside to inside.

DOOR REPLACEMENT

- a. Wood: Vulkem 171 Primer as recommended by coating manufacturer.
 - b. Concrete: Vulkem 171 Primer as recommended by coating manufacturer.
 - c. Metal: Tremprime Non Porous Primer as recommended by coating manufacturer.
2. Sealant: As recommended by coating manufacturer.
 3. Aggregate: colored quartz to match existing; local aggregate approved by coating manufacturer.
- 3.5 Flashing Membrane:
- A. Type: Prosoco R-Guard FastFlash or approved equivalent.
 - B. Related Materials: Provide primer, mastic, sealant and other miscellaneous products as required by the manufacturer to be compatible with specified waterproofing membrane.
- 3.6 Joint Sealants:
- A. Sealant:
 1. Exposed Sealants: Sonolastic 150 manufactured by BASF Construction Chemicals, LLC-Building Systems or approved equivalent.
 2. Sealants Incorporated into deck coating: Sikaflex 15 LM, manufactured by Sika Corporation.
 - B. Joint Backing: Round, closed-cell, polyethylene foam rod compatible with sealant; oversized 30 to 50 percent larger than joint width.
 - C. Bond Breaker Tape: Adhesive backed polyethylene tape with slick-surfaced facing by Pecora or approved equivalent. Width sized to suit joint.
- 3.7 Fasteners: Doorframes shall be installed using 300 Series stainless steel screws.

PART 4 – EXECUTION

- 4.1 General:
- A. All work shall be coordinated with the unit Owner, the Owner's representative, the Association Board and Amelia Island Management Co. for notification of work to begin and scheduling of inspections.
 - B. Contractor shall post appropriate permit documents on site.
- 4.2 Removal:

DOOR REPLACEMENT

080000 - 7

4-24-12

- A. Remove existing fenestration from opening, taking care not to damage finishes.
- B. Legally dispose of removed fenestration.
- C. All exterior trim, existing caulk, flashing, etc. shall be removed.
- D. Remove all miscellaneous materials, fasteners, sealants, etc. Clean all surfaces to produce a smooth finish.
- E. Remove exterior finish and accessories, wood blocking, drywall, interior trim, etc. as required to install new window or sliding glass door.
- F. Prior to cutting EIFS or drywall, contractor shall mark work using straight and true cut lines.
- G. Cuts shall not be made into the exterior sheathing or wall framing.
- H. If damaged framing or sheathing is encountered, finishes shall be removed as required to expose the extent of the damage and as necessary to permit its repair.

4.3 Examination:

- A. Contractor shall request a field review involving the Engineer and a Representative of the Association Board to assess the condition of the opening where assemblies have been removed. All parties present shall conduct an examination of the existing conditions to document any deteriorated or damaged wall framing, EIFS, drywall or miscellaneous work needing repair.
- B. Contractor shall identify, in writing, conditions that will prevent proceeding with the work. If the Contractor fails to document the adverse conditions and/or proceeds with work without repairing unsatisfactory conditions, the sole responsibility shall be that of the Contractor.

4.4 Installation of New Door Units:

- A. Storage and Handling: All new door assemblies shall be stored and transported in such a manner to prevent scratching, deformation, or racking of the frames. It is the right of the owner or the owner's representative to require replacement of any units containing such damage.
- B. Contractor shall verify that new door units are sized to fit existing rough openings.
- C. Head flashings and sill pans shall be installed as shown on the replacement details.
- D. If fasteners must be installed through the sill pan, they must be installed in a predrilled hole, injected with sealant. The installed fastener head must also be capped with sealant.

DOOR REPLACEMENT

- E. New door units shall be installed in accordance with the manufacturer's installation instructions, ASTM E 2112 and in accordance with the replacement details.
- F. Install door unit on a curb (in-organic material) that provides a 1-1/2" minimum step up from exterior finish floor surface. Secure curb with 1/4" diameter stainless steel concrete screws with minimum 2" embedment into concrete substrate at 6" on center, staggered.
- G. Set door units plumb, level, and true to line, without warp or rack of frames or sash. Provide proper support and anchor securely in place.
- H. Separate aluminum and other corrodible surfaces from sources of corrosion or electrolytic action at points of contact with other materials by complying with the requirements specified under paragraph "Dissimilar Materials" in the Appendix to AAMA 101.

4.5 Waterproofing Membrane (For Door Curb Installation):

A. Preparation:

1. Contractor shall remove any tile, paver, or other floor finishes from a 12-inch wide area of the balcony floor adjacent to the door opening to expose the existing waterproof deck coating, if any. Care shall be taken not to damage the existing waterproofing membrane surface, if present.
2. Contractor shall ensure that the existing waterproofing membrane is compatible with the new waterproofing membrane system. Contractor shall coordinate with the manufacturer to test the surface for adherence, to ensure compatibility.
3. Clean all deck surfaces to receive coating system in accordance with manufacturer's instructions; vacuum clean or blow clean with oil-free compressed air all surfaces to receive sealants, detailing materials or coatings immediately prior to installation.
4. Rout, clean, prepare and detail surface cracks in accordance with manufacturer's instructions; install backer rod where required.
5. Clean metal surfaces to bright metal by wire brushing or mechanical etching; scuff-sand lead flashing and plastic surfaces.
6. Prime surfaces in accordance with manufacturer's instructions.
7. Install properly sized diameter backer rod or bond breaker tape into corner of all 90-degree junctures and cover with 1" detail cant of approved sealant.
8. Allow detail applications to cure in accordance with manufacturer's instructions, prior to general application of coating.

DOOR REPLACEMENT

9. Surface preparation, detailing and tie-in procedures shall be in accordance with waterproof coating system manufacturer's instructions.

B. Application:

1. Verify proper dry condition of substrate using method recommended by coating system manufacturer; perform adhesion checks prior to general application of coating system using field adhesion test method recommended by manufacturer.
2. Mask off adjoining surfaces not to receive coating system.
3. DO NOT APPLY Vulkem waterproofing coating system over PRESSURE TREATED LUMBER.
4. Select Appropriate waterproof membrane system:
 - a. Vulkem 350 (tiled surfaces) balcony deck and patio deck waterproofing coating system:
 - i. Primer (as required for each substrate surface)
 - ii. Vulkem 350 base coat
 - iii. Vulkem 350 finish coat with broadcast silica sand
 - iv. Vulkem 351 matching existing quartz texture over surfaces to be exposed
 - b. Vulkem 350/351 (exposed surfaces) balcony deck and patio deck waterproofing coating system:
 - i. Primer (as required for each substrate surface)
 - ii. Vulkem 350 base coat
 - iii. Vulkem 351 matching existing quartz texture over surfaces to be exposed
5. Install waterproof coating system in accordance with manufacturer's recommendations and instructions. Lap new material over existing membrane, if present a minimum of 4-inches.
6. Grid deck surfaces to assure proper coverage rates and verify coating wet-film mil thickness with gauges as work progresses.

DOOR REPLACEMENT

080000 - 10

4-24-12

7. Apply base coat uniformly, and allow to cure in accordance with manufacturer's instructions.
8. Wipe clean all detail coats with white rags wetted with Xylene solvent; do not saturate detail coat.
9. Clean area minimum 6" wide along terminating edge of existing coating with Xylene solvent on clean white rags prior to of new coating. Use interlaminar primer per manufacturer's instructions, as needed.
10. Immediately broadcast aggregate into wet material at rate recommended by manufacturer and back roll to evenly distribute and totally encapsulate
11. Allow membrane to cure per manufacturer's instructions.
12. Where waterproofing membrane does not exist, the new waterproofing membrane that is installed under the door sill pan shall extend onto the balcony deck or patio for the full width of the removed floor finish.

4.6 Flashing Membrane:

- A. Membranes shall be installed according to manufacturer's installation instructions and as shown on replacement details.
- B. Prime surfaces as recommended by manufacturer.

4.7 Clean-Up

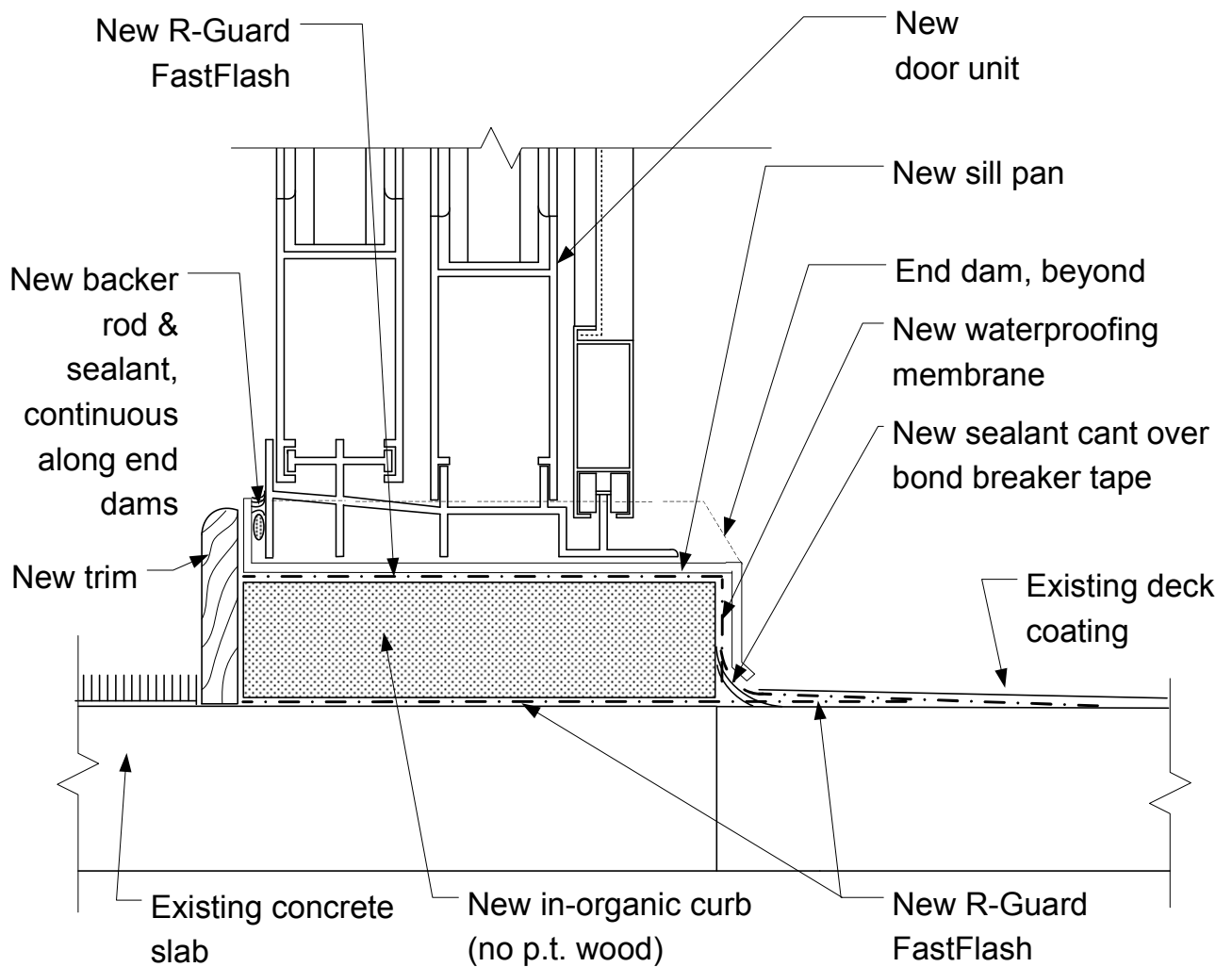
- A. Contractor shall remove all unused materials from the project site.
- B. All surfaces shall be swept clean daily.
- C. Contractor shall final clean all replacement window and sliding glass door units per manufacturer's instructions.

END OF SECTION

DOOR REPLACEMENT

080000 - 11

4-24-12



1B Sill Section
Replacement Door
NTS

This drawing document is the property of Construction Solutions, Inc. Any use or reproduction of this document without the expressed written consent of Construction Solutions, Inc. is prohibited. All rights of design and invention are expressly reserved.

Notes:

1. Materials and Installation shall be per Specification Section 080000. Drawing detail shall not be used exclusively.
2. Curb below door shall provide a minimum 1-½" step up from exterior finish floor surface.
3. Sill pan to be set in bed of sealant.
4. Seal sill pan end dams to side of sliding glass door frame.
5. If door manufacturer requires fastening through the sill pan, fasteners shall be into predrilled holes filled with sealant and capped with sealant.



CONSTRUCTION SOLUTIONS, INC.

ENGINEERING · TESTING ·
PROJECT MANAGEMENT

1417 AVERY ROAD, STE 100
AMELIA ISLAND, FLORIDA 32034

CERTIFICATE OF AUTHORIZATION NO. 26752

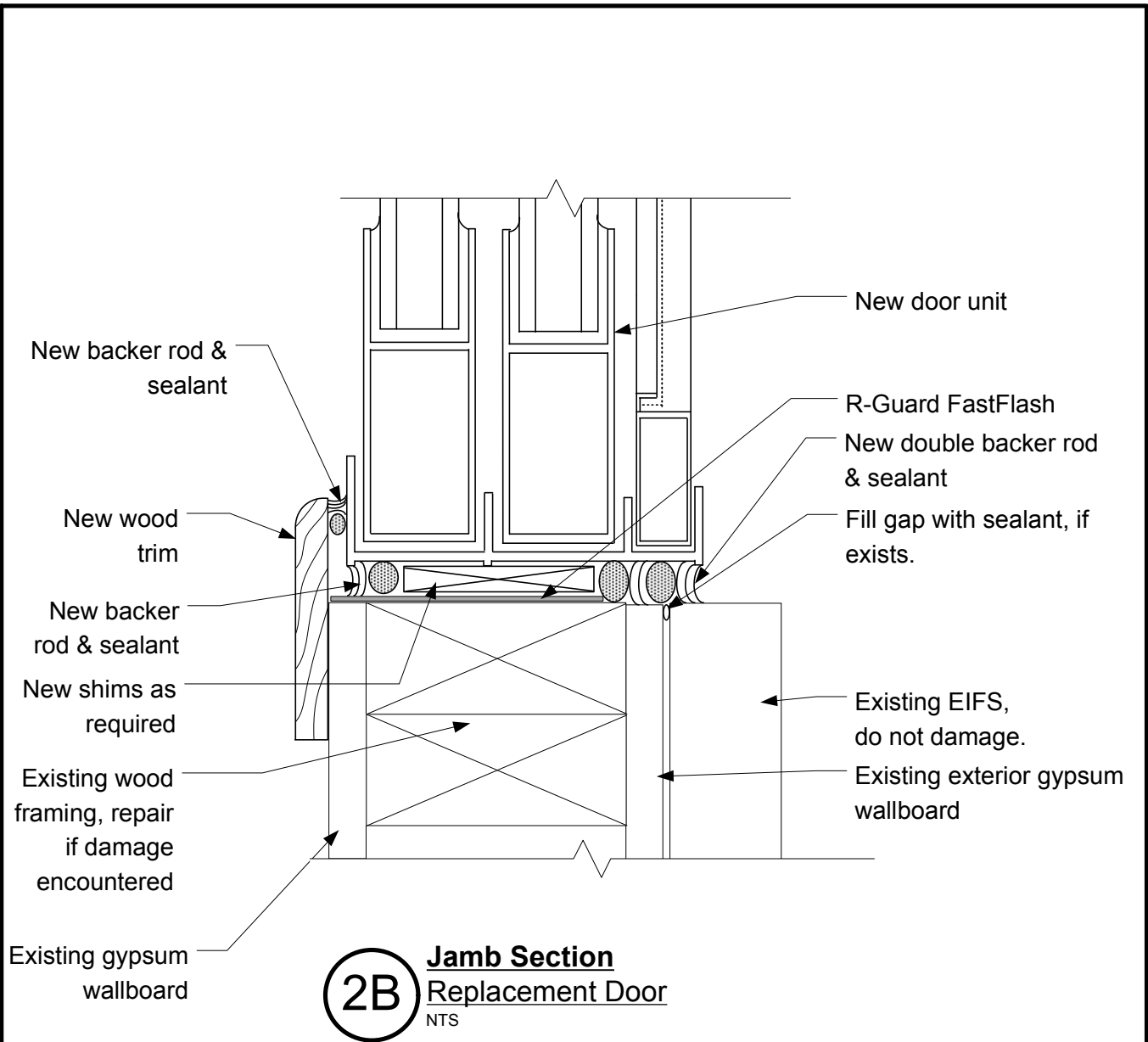
Detail 1B – Sill Door
Piper Dunes Condominium
Amelia Island, Florida

Date: 4/24/12

Scale: N.T.S.

Drawn: jdh


Sheet: 6 of 8

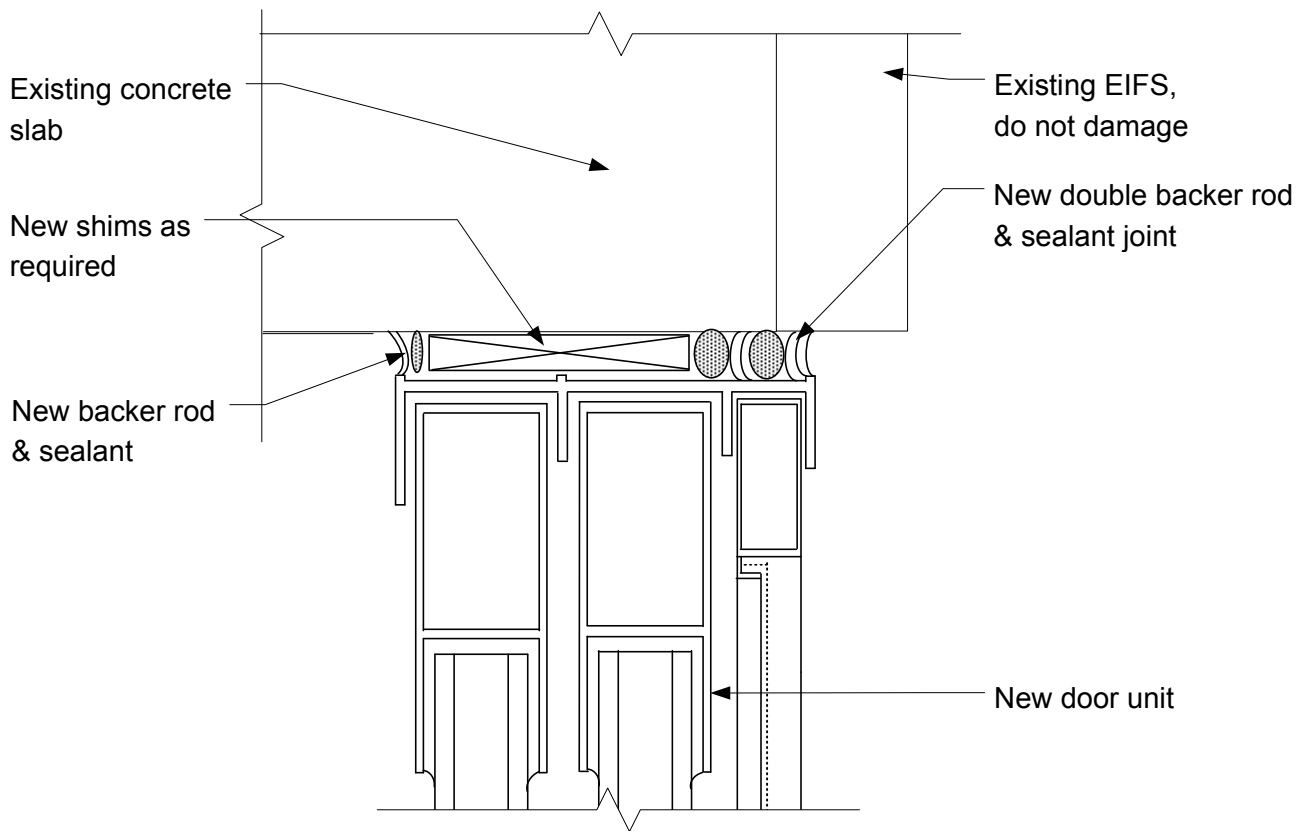


Notes:

1. Materials and Installation shall be per Specification Section 080000. Drawing detail shall not be used exclusively.
2. Shingle jamb flashing tape over sill pan end dams.
3. EIFS construction to receive new sealant shall have existing textured finish coat removed from surface of base coat in accordance with EIFS manufacturer's recommendations. Improperly embedded and/or damaged reinforcing mesh shall be repaired in accordance with EIFS manufacturer's recommendations.

This drawing document is the property of Construction Solutions, Inc. Any use or reproduction of this document without the expressed written consent of Construction Solutions, Inc. is prohibited. All rights of design and invention are expressly reserved.

	<p>CONSTRUCTION SOLUTIONS, INC. ENGINEERING · TESTING · PROJECT MANAGEMENT <small>1417 AVERY ROAD, STE 100 AMELIA ISLAND, FLORIDA 32034</small></p>	
<p>CERTIFICATE OF AUTHORIZATION NO. 26752</p>		
<p>Detail 2B - Jamb Door Piper Dunes Condominium Amelia Island, Florida</p>		
<p>Date: 4/24/12</p>	<p>Scale: N.T.S.</p>	<p>Drawn: jdh</p>
<p>Sheet: 7 of 8</p>		



3B Head Section
Replacement Door
 NTS

This drawing document is the property of Construction Solutions, Inc. Any use or reproduction of this document without the expressed written consent of Construction Solutions, Inc. is prohibited. All rights of design and invention are expressly reserved.

Notes:

1. Materials and Installation shall be per Specification Section 080000. Drawing detail shall not be used exclusively.
2. EIFS construction to receive new sealant shall have existing textured finish coat removed from surface of base coat in accordance with EIFS manufacturer's recommendations. Improperly embedded and/or damaged reinforcing mesh shall be repaired in accordance with EIFS manufacturer's recommendations.



CONSTRUCTION SOLUTIONS, INC.

ENGINEERING · TESTING ·
 PROJECT MANAGEMENT

1417 AVERY ROAD, STE 100
 AMELIA ISLAND, FLORIDA 32034

CERTIFICATE OF AUTHORIZATION NO. 26752

Detail 3B - Head Door
Piper Dunes Condominium
Amelia Island, Florida

Date: 4/24/12

Scale: N.T.S.

Drawn: jdh

Sheet: 8 of 8